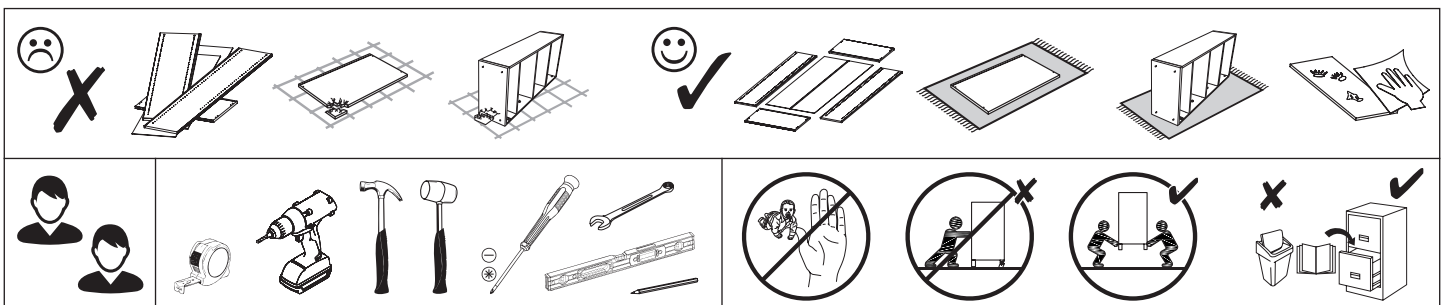
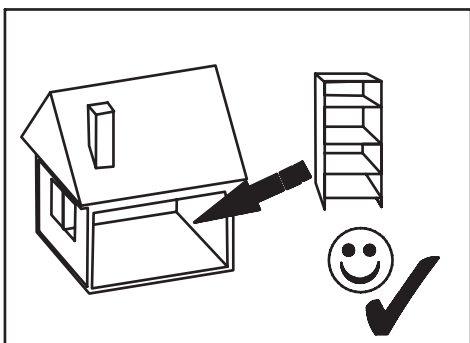
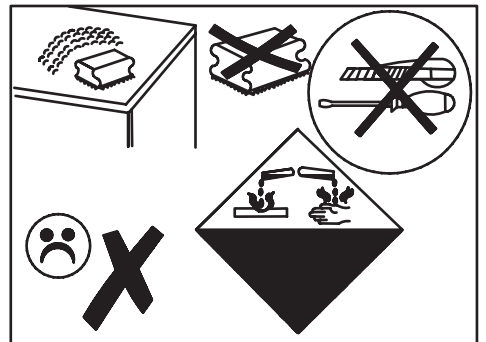
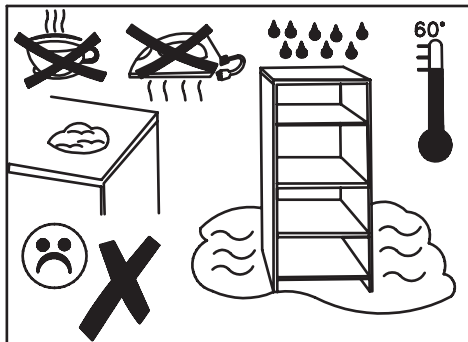
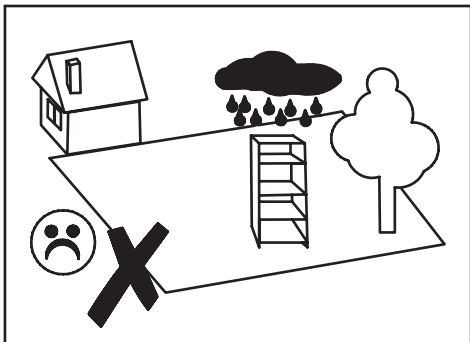
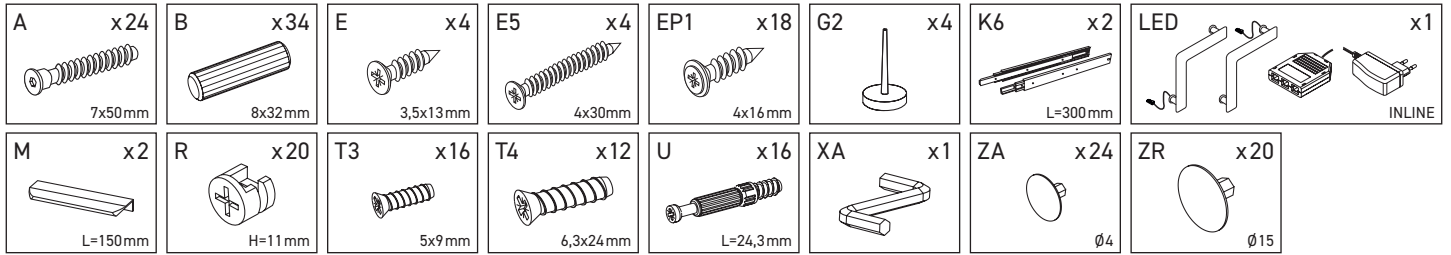


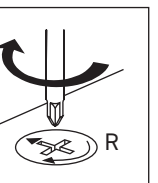
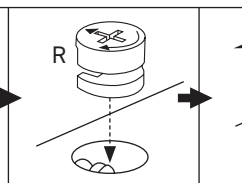
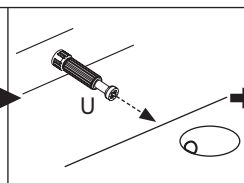
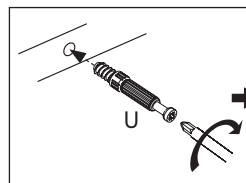
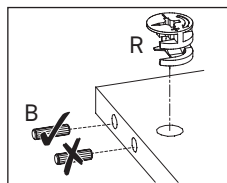
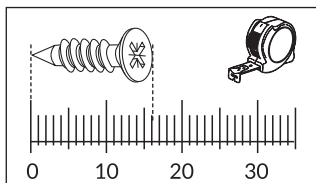
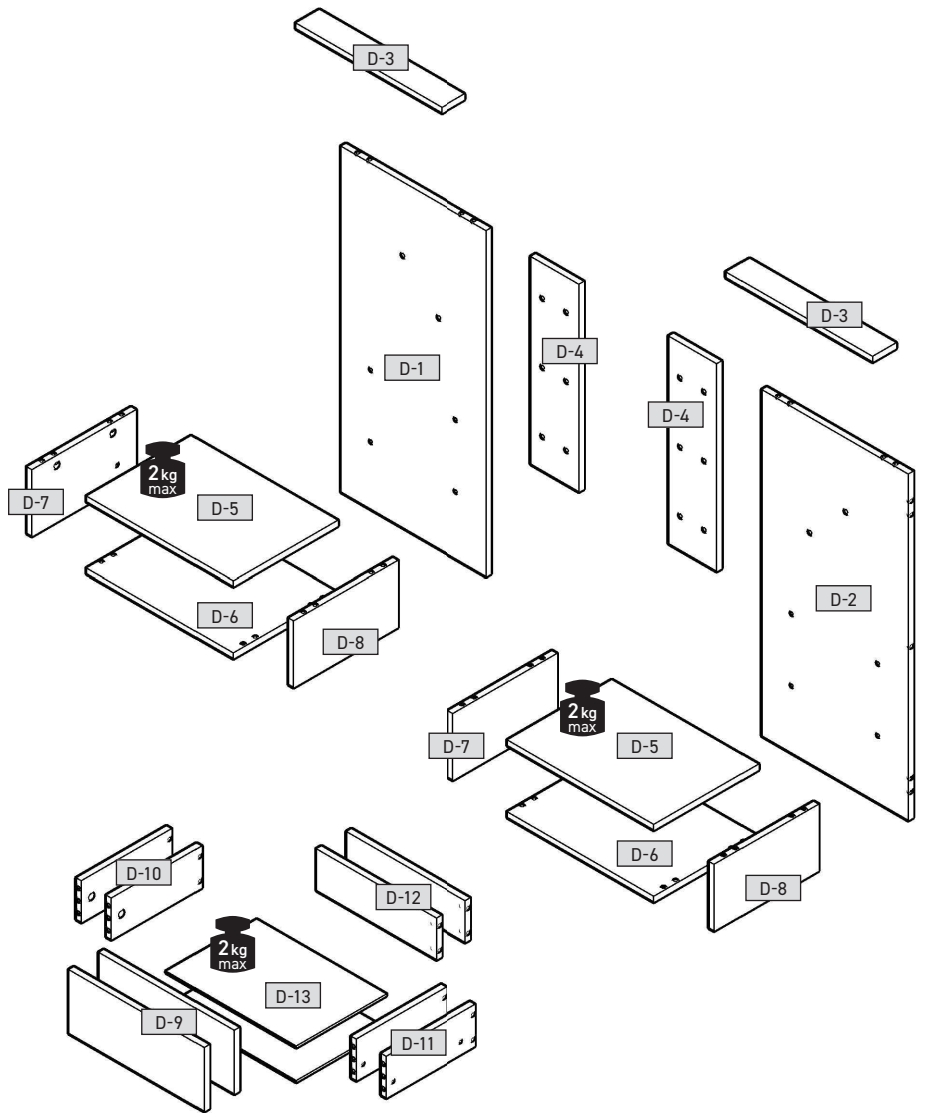
2023-06-06



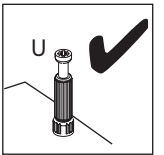
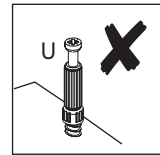
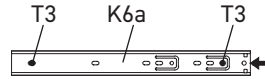
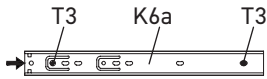
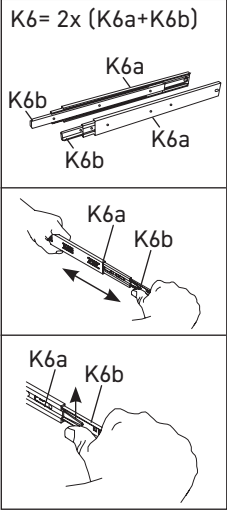
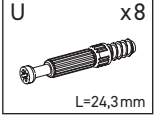
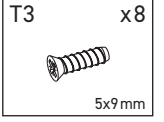
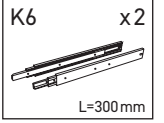
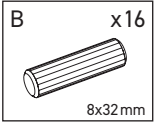
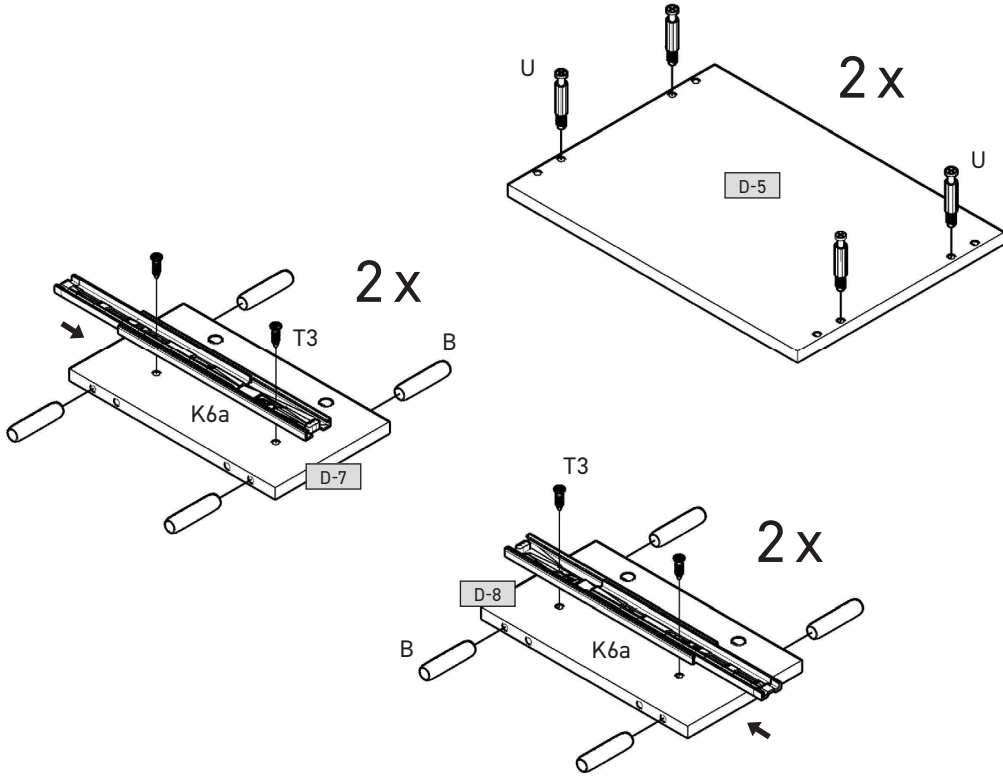




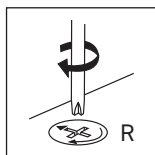
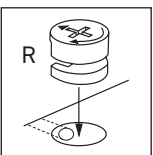
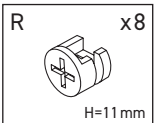
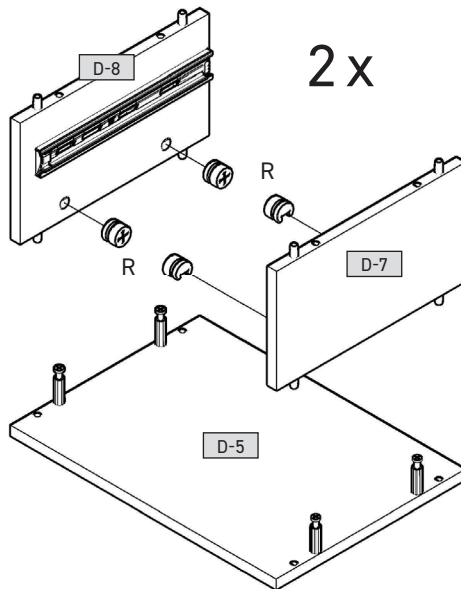
D-1	488	1000	16	x1	1/1
D-2	488	1000	16	x1	1/1
D-3	488	78	16	x2	1/1
D-4	600	160	16	x2	1/1
D-5	488	348	16	x2	1/1
D-6	488	348	16	x2	1/1
D-7	192	347	16	x2	1/1
D-8	192	347	16	x2	1/1
D-9	449	185	16	x2	1/1
D-10	300	120	16	x2	1/1
D-11	300	120	16	x2	1/1
D-12	399	120	16	x2	1/1
D-13	429	306	3	x2	1/1



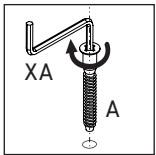
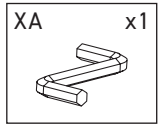
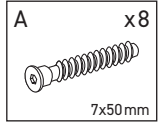
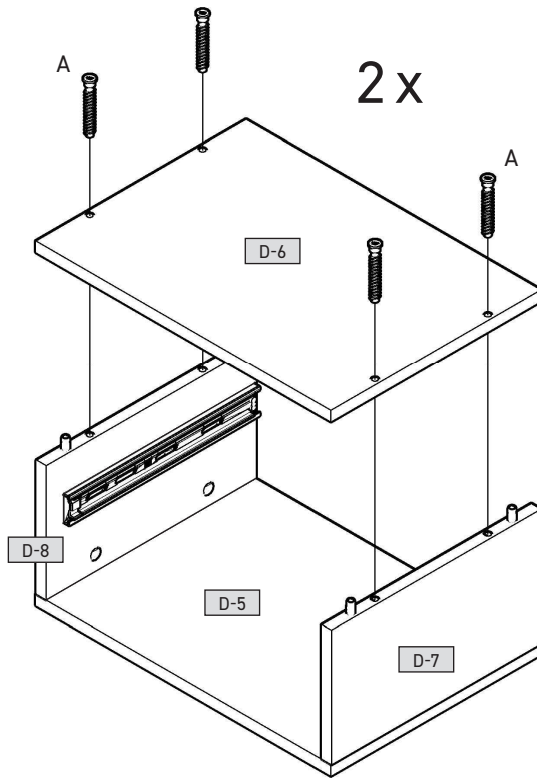
1



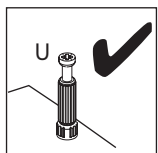
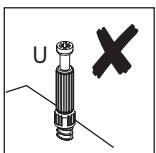
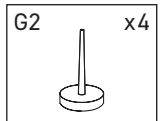
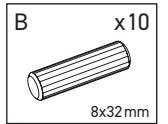
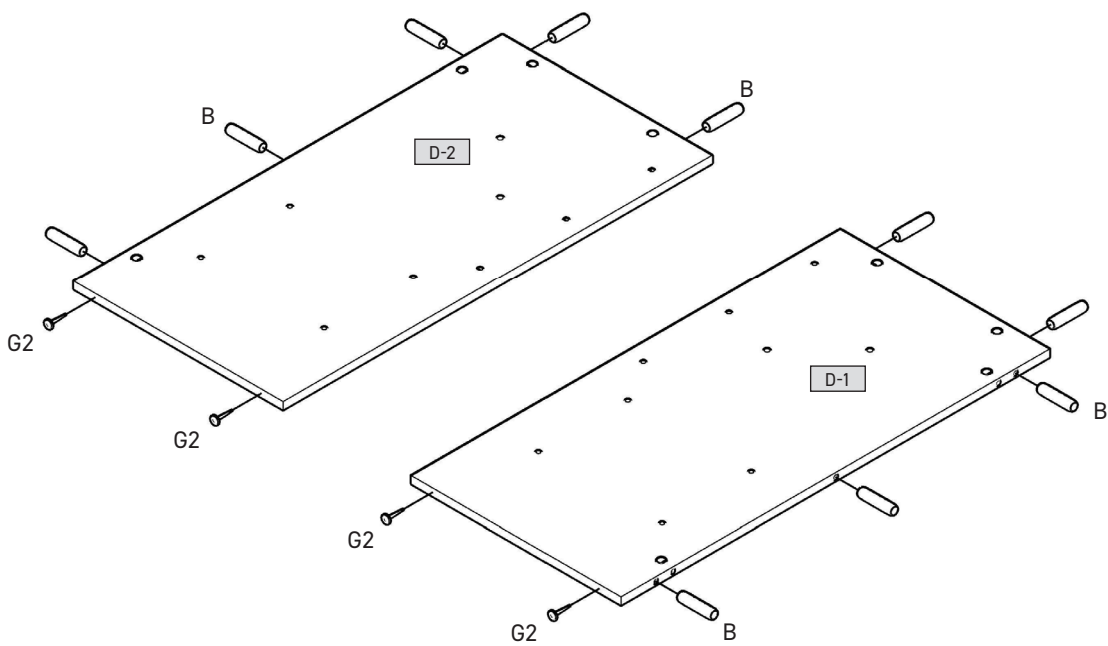
2



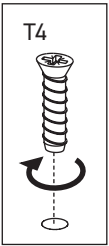
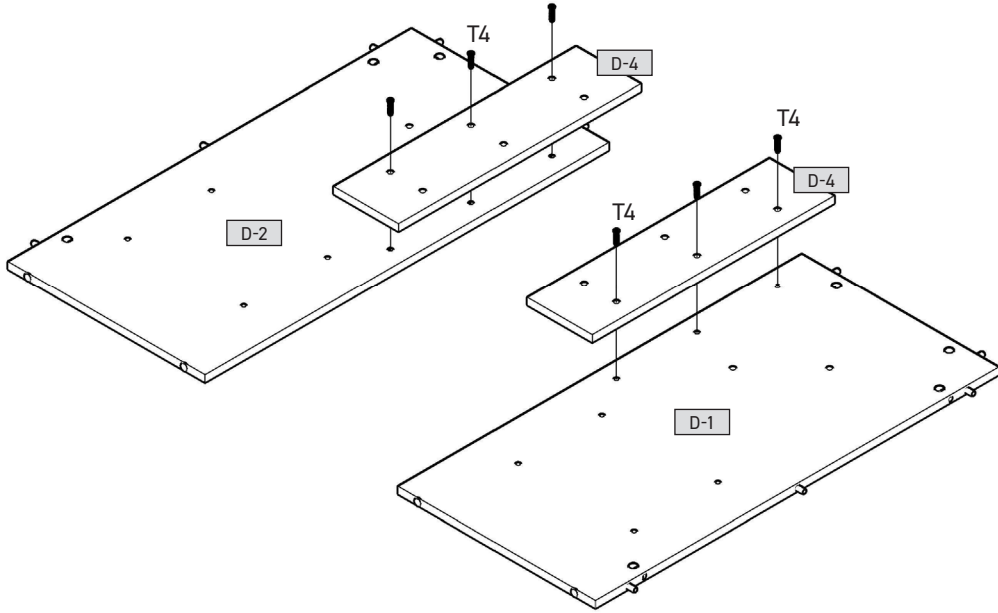
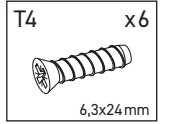
3



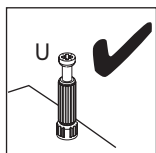
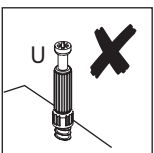
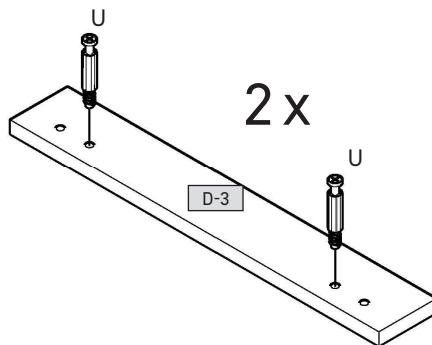
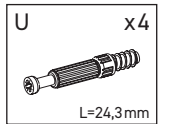
4



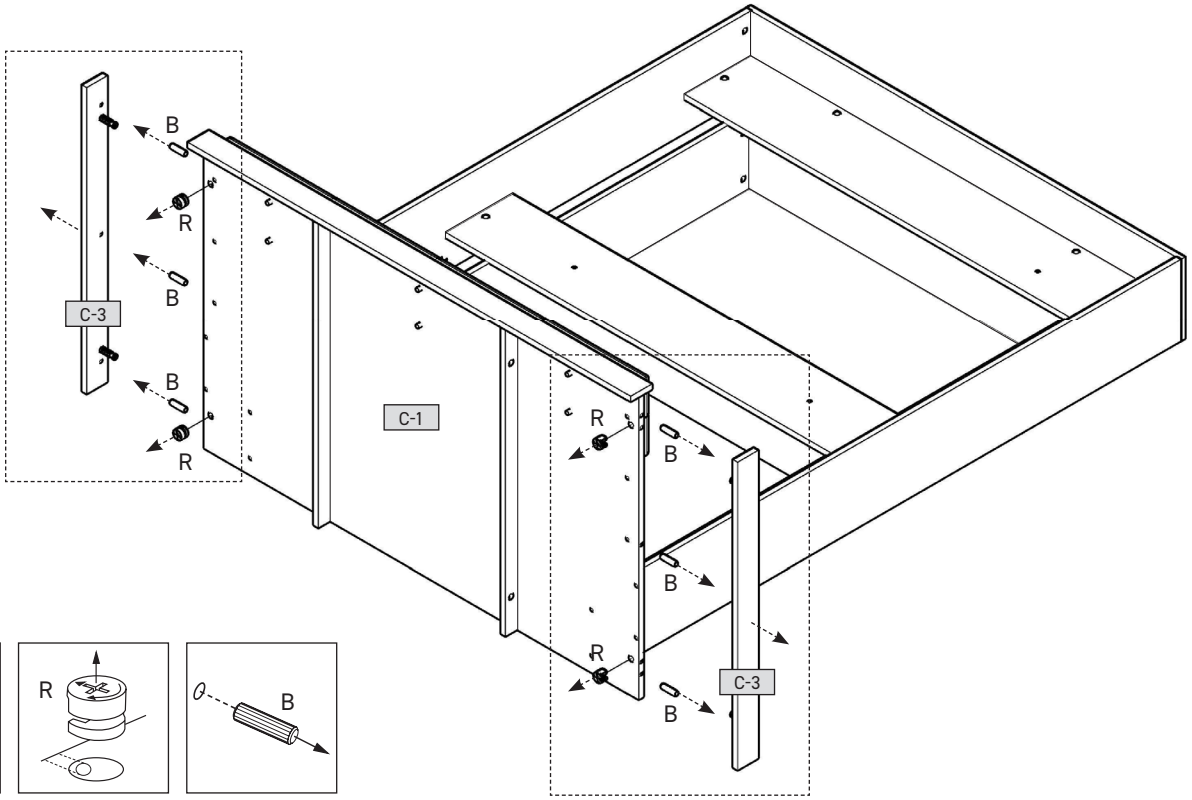
5



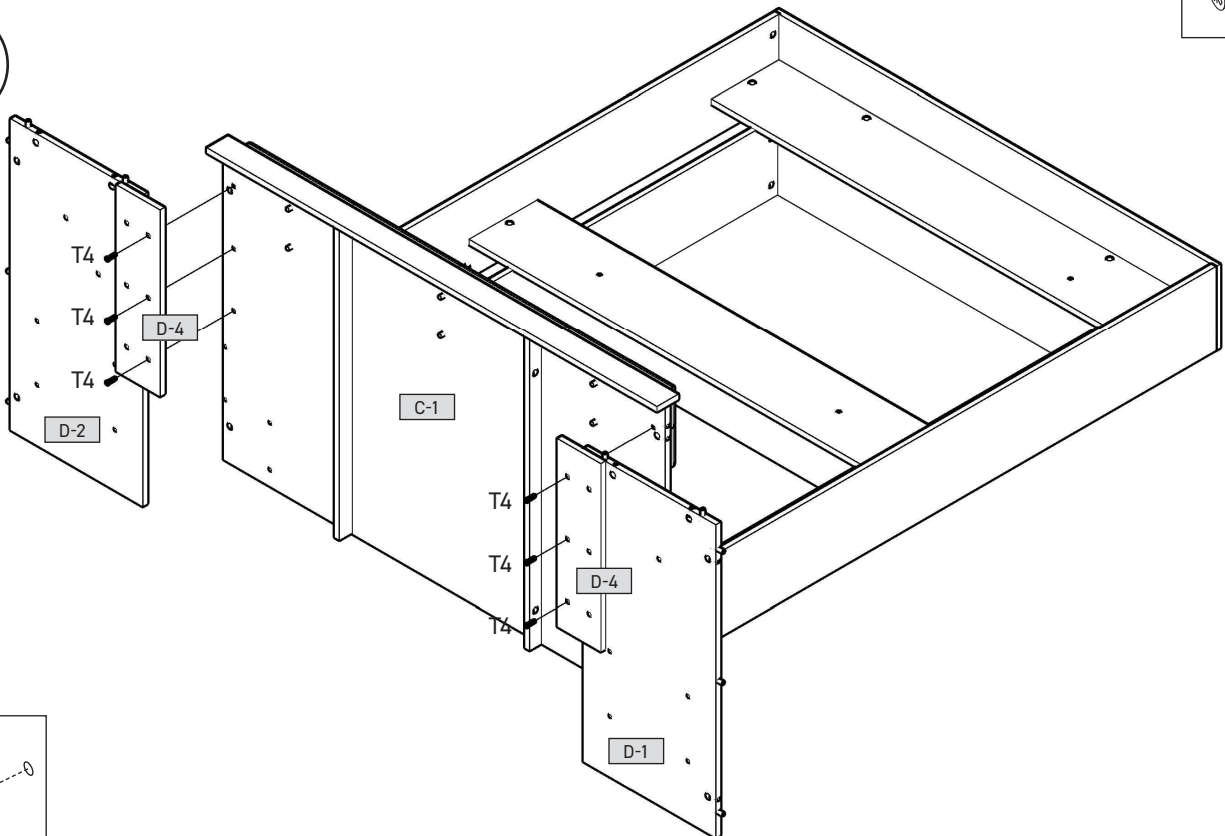
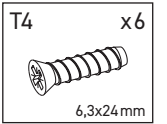
6



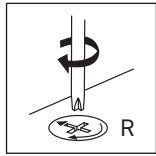
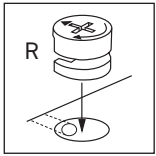
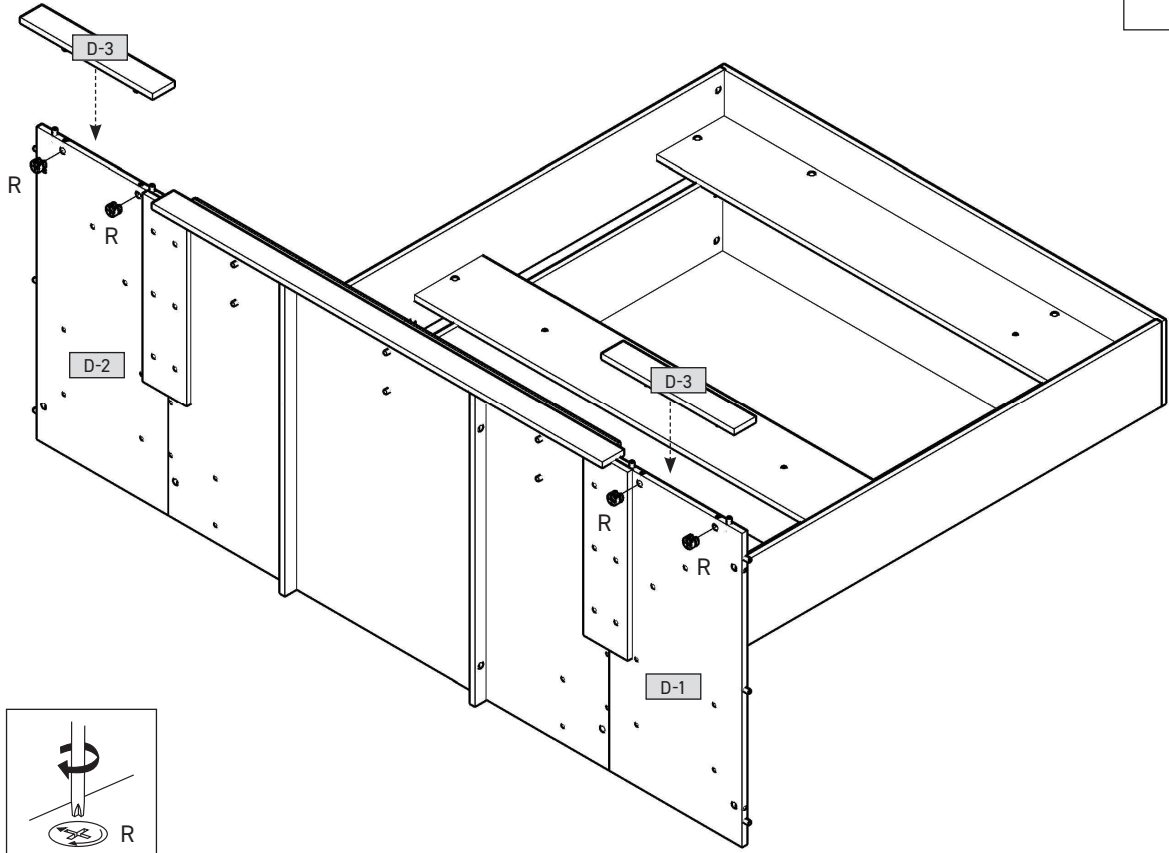
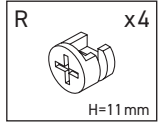
7



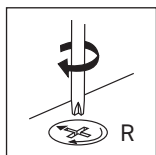
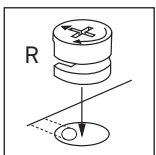
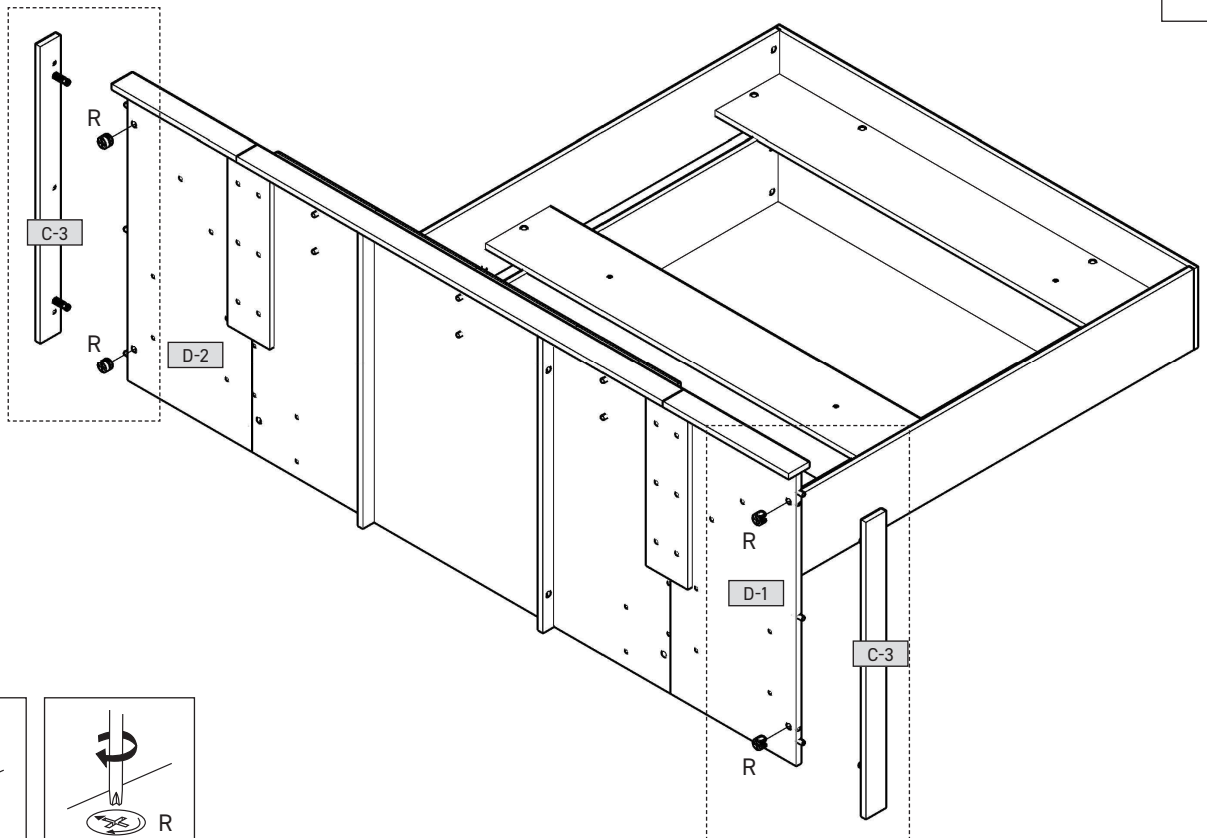
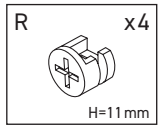
8



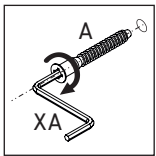
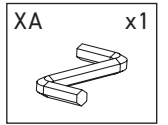
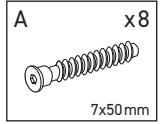
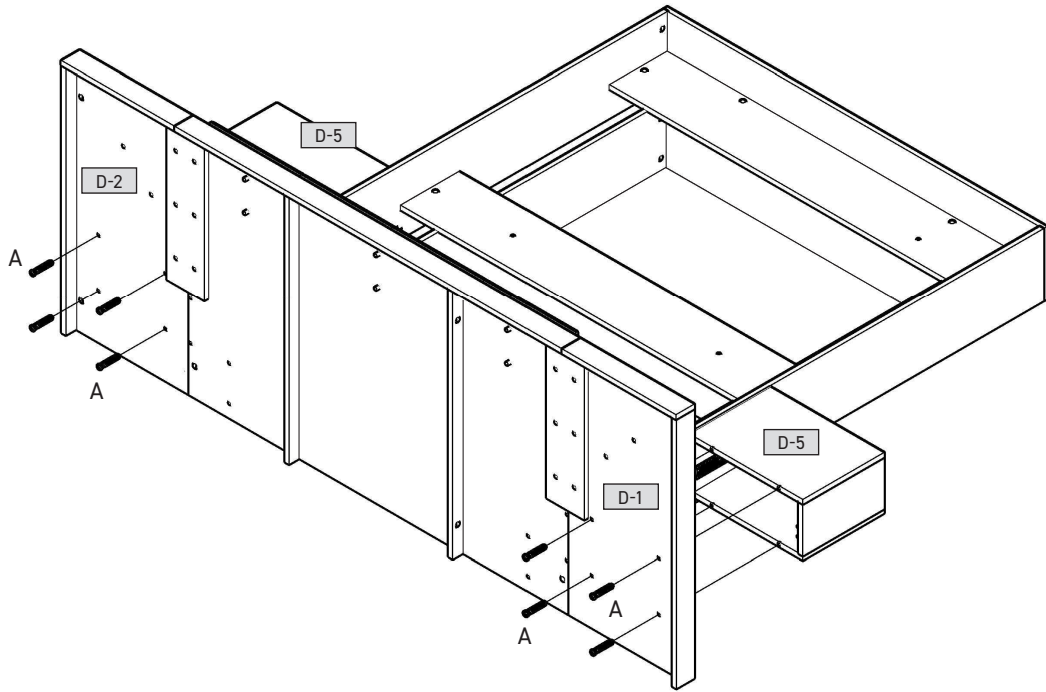
9



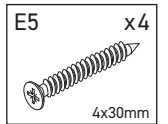
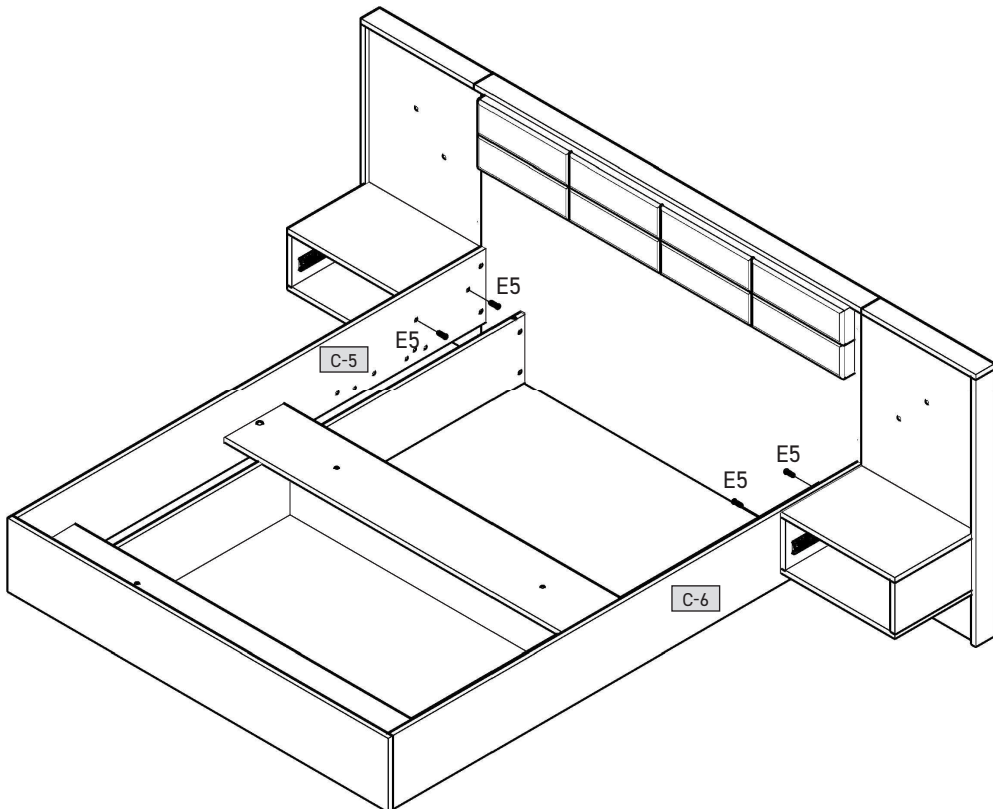
10



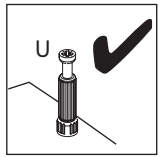
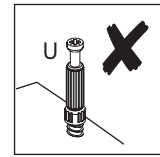
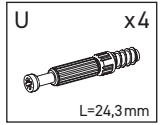
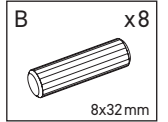
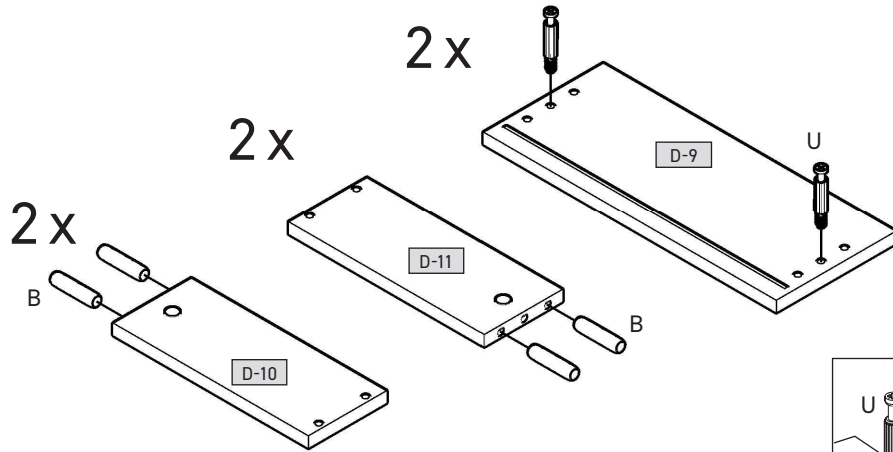
11



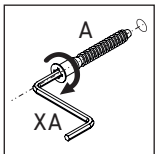
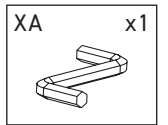
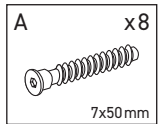
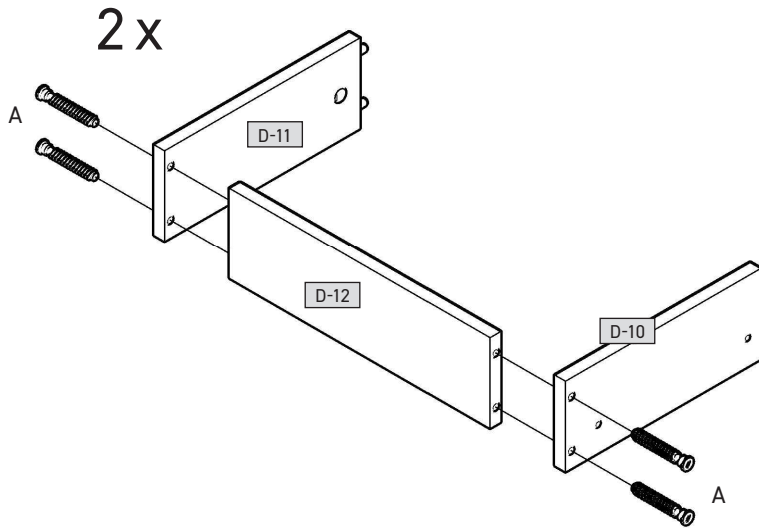
12



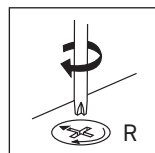
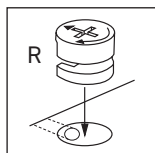
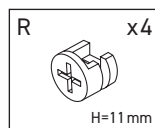
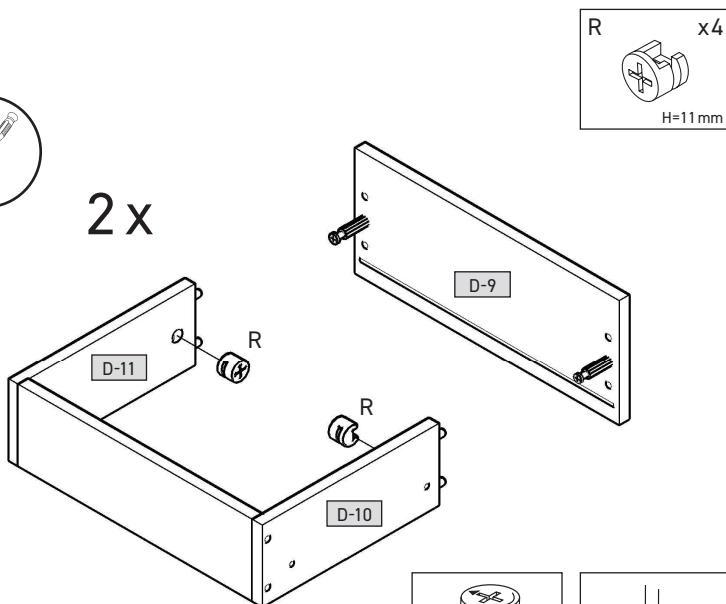
13



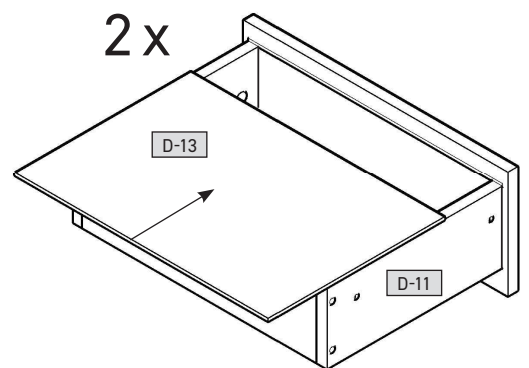
14



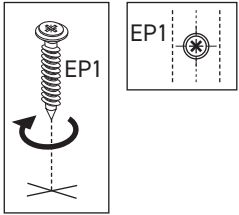
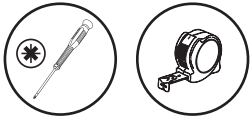
15



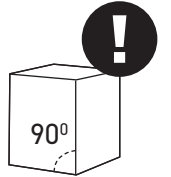
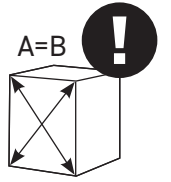
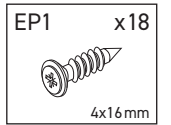
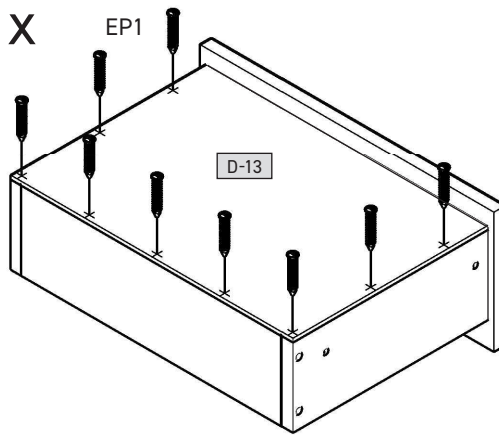
16



17



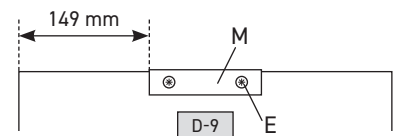
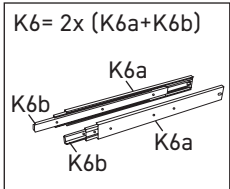
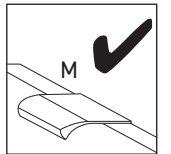
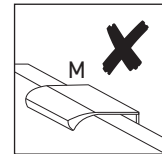
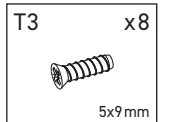
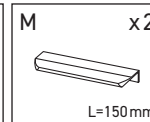
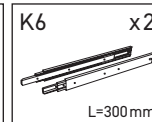
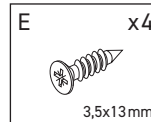
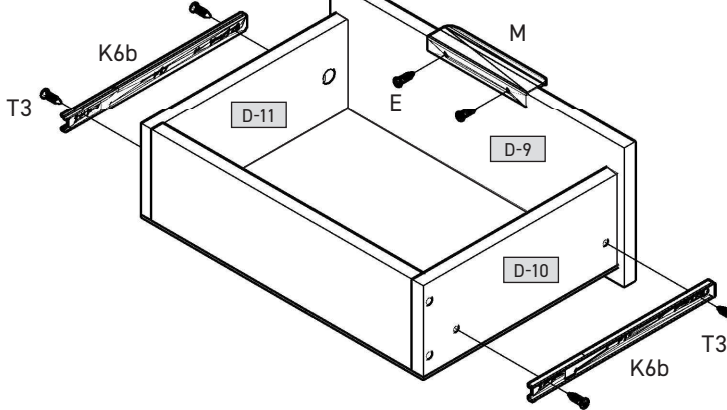
2 x



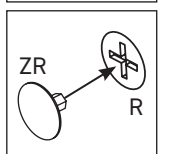
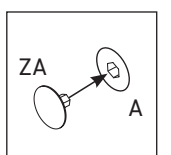
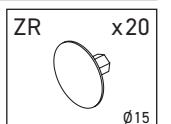
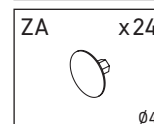
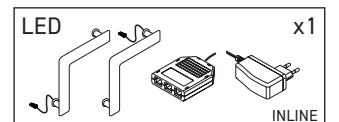
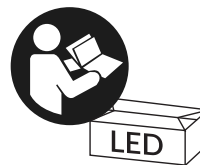
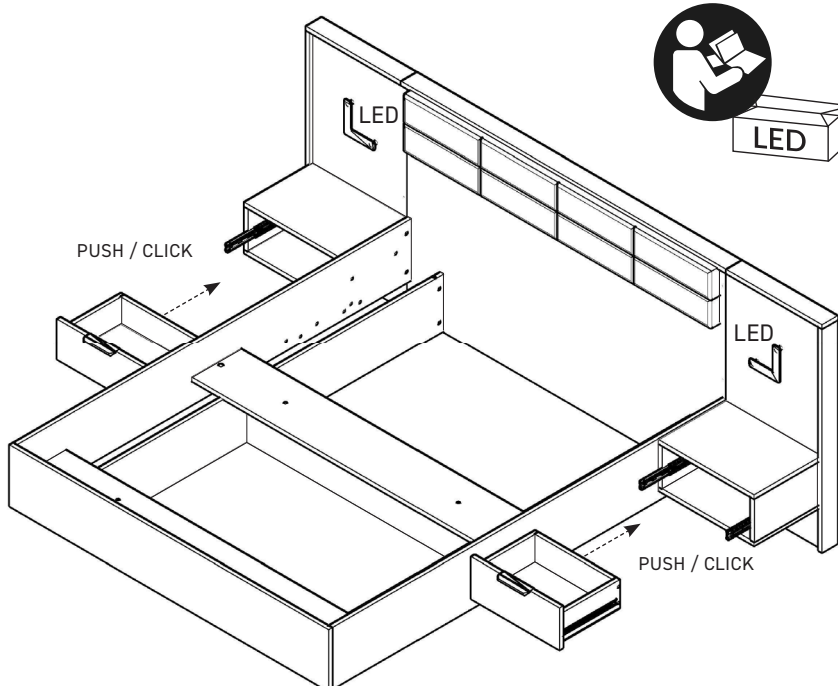
18

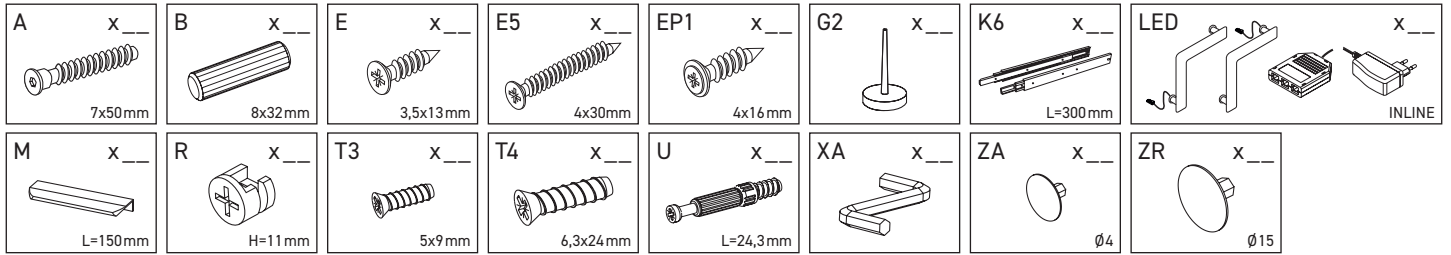


2 x



19





D-1	488	1000	16	x1	1/1
D-2	488	1000	16	x1	1/1
D-3	488	78	16	x2	1/1
D-4	600	160	16	x2	1/1
D-5	488	348	16	x2	1/1
D-6	488	348	16	x2	1/1
D-7	192	347	16	x2	1/1
D-8	192	347	16	x2	1/1
D-9	449	185	16	x2	1/1
D-10	300	120	16	x2	1/1
D-11	300	120	16	x2	1/1
D-12	399	120	16	x2	1/1
D-13	429	306	3	x2	1/1

